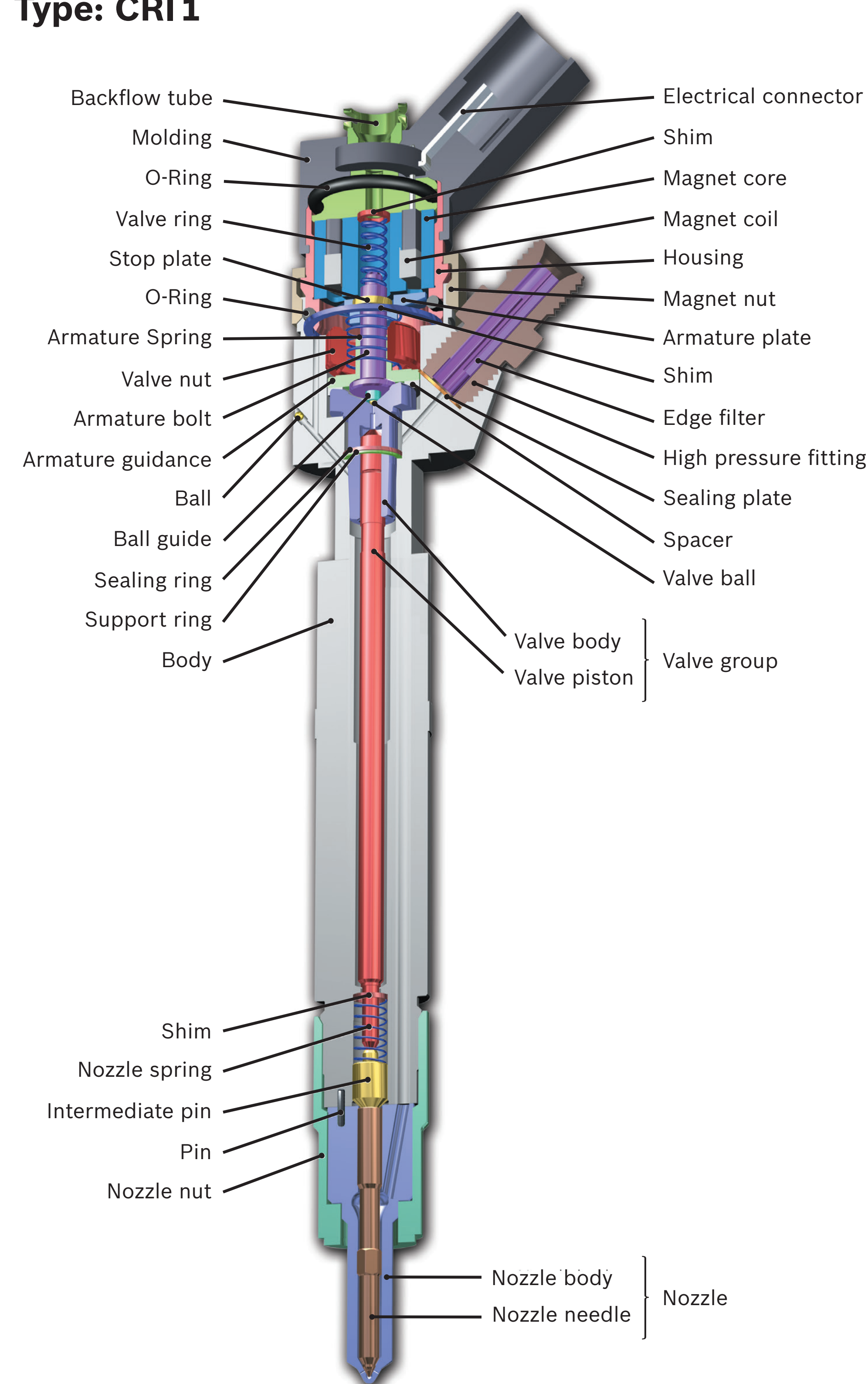


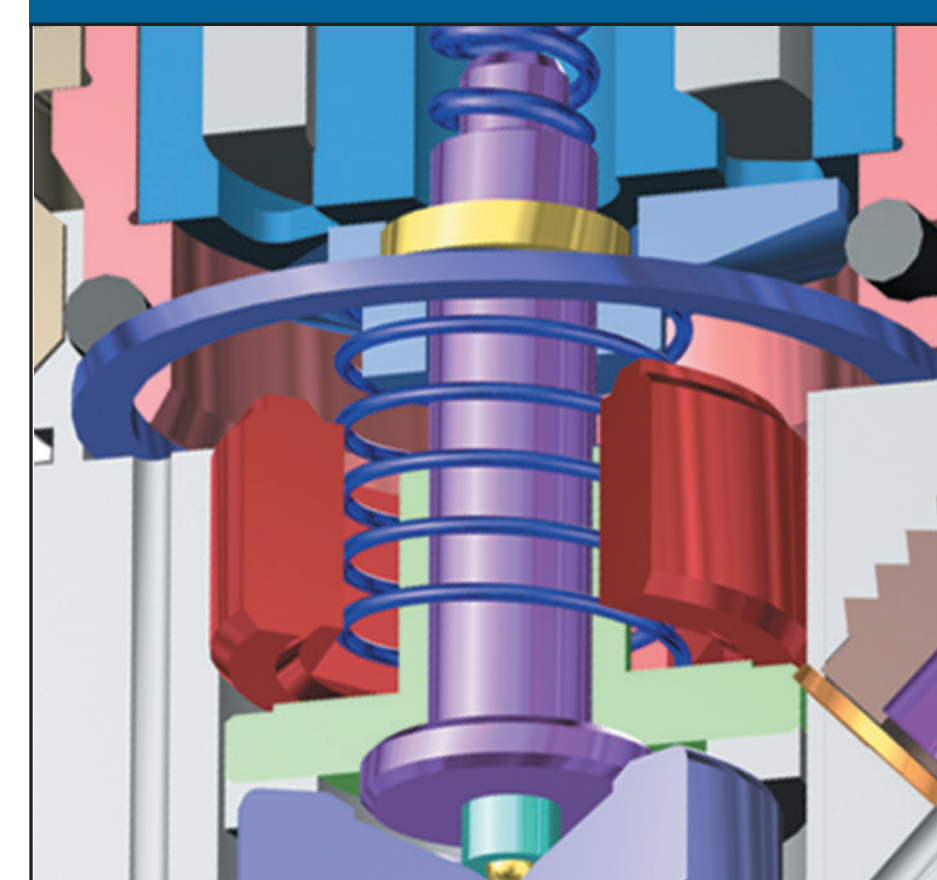
## Solenoid valve injector

System pressure up to 1350 bar

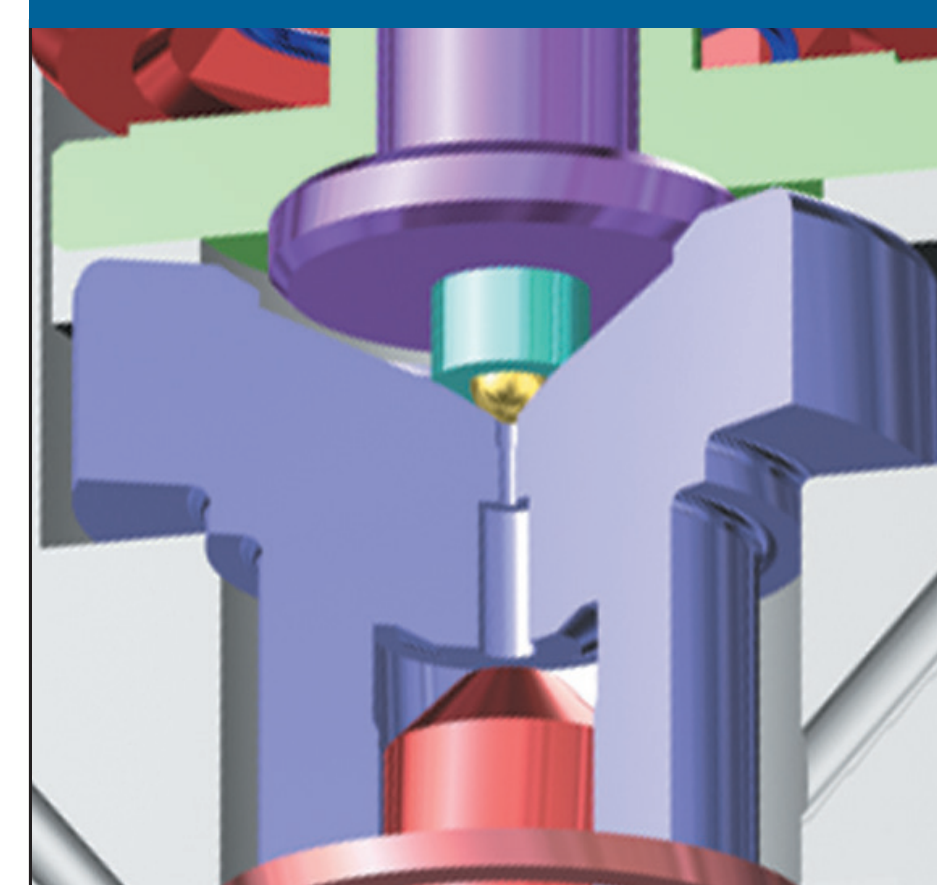
► Type: CRI1



## Armature



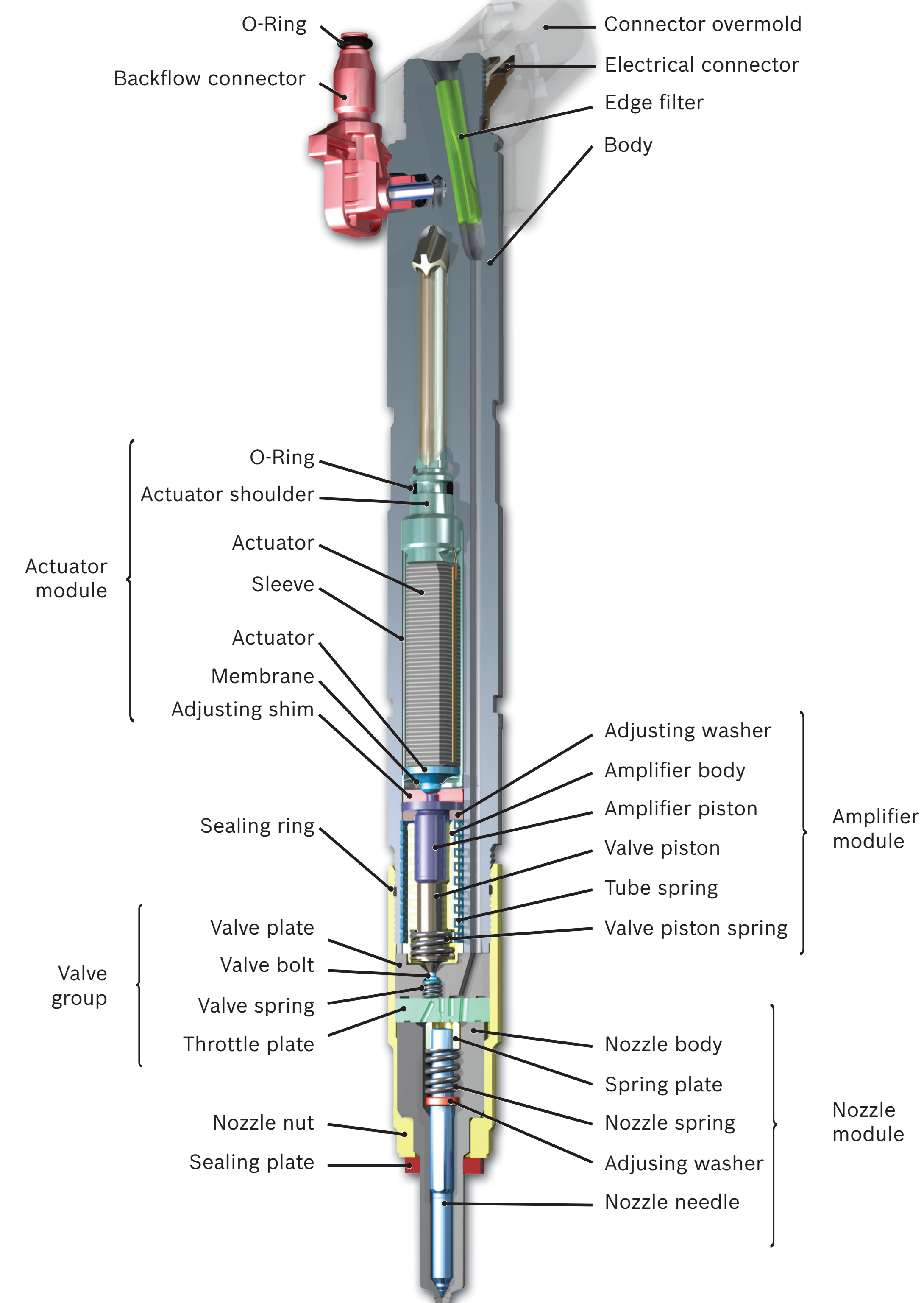
## Valve Body



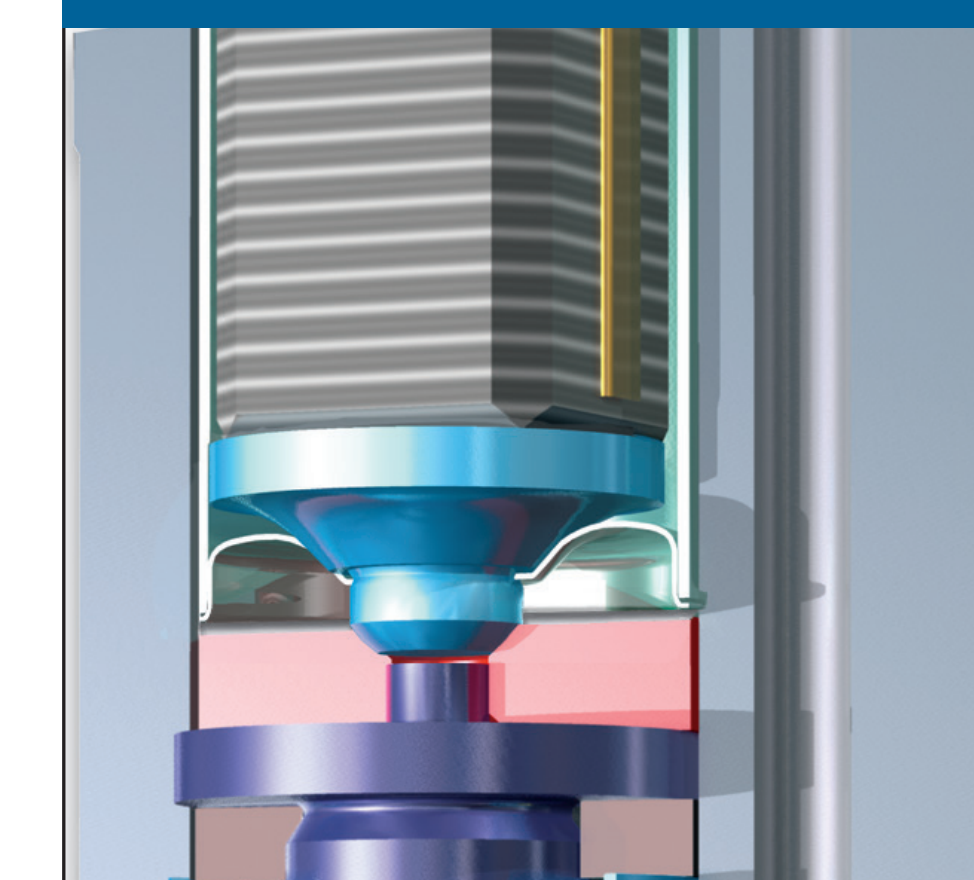
## Piezo Injector

System pressure up to 2000 bar

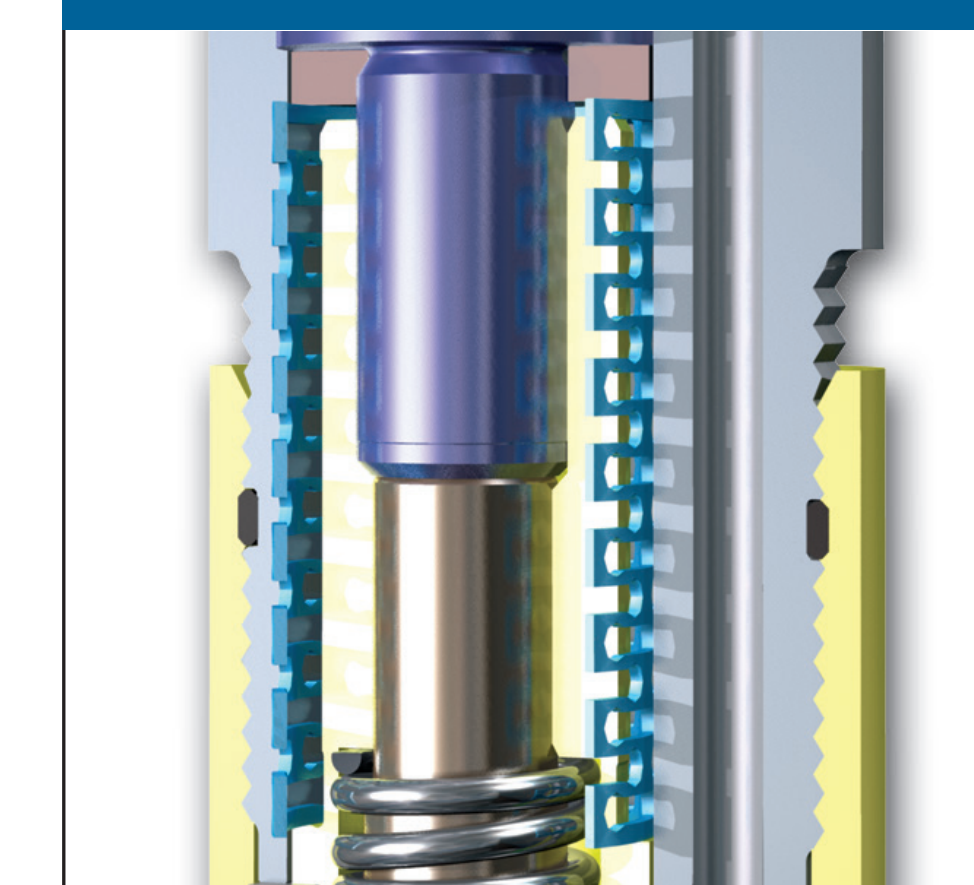
► Type: CRI3.0



## Actuator Module



## Amplifier Module



## Valve Group

